



www.buzoncanada.ca

The PB pedestal

JOLANI
Distribution Inc.

The PB Range

The PB pedestal is Buzon's latest development and suitable for many different applications and designs. They are adjustable from 18-955mm and are perfect for creating both residential and commercial spaces. Its design makes the PB pedestal easy to adjust and allows quick and sturdy installation. The enlarged surface of the head is specially adapted for supporting natural stone, ceramic tiles, concrete pavers, or terraces made of timber or composite decking.

COMPOSITION

1 TOP OF THE PEDESTAL

The top of the pedestal is screwed directly into the base, or into the couplers for additional height requirements. The top has a diameter of 170mm and a surface area of 227cm². It can be fitted with various accessories for different applications such as paving, decking or metal grating.

2 COUPLERS

Couplers are used to extend the height of the pedestals to the required finished floor level up to 955mm.

3 BASE

The base can be simply positioned or fixed to any compatible substrate. The head, the couplers and the base are equipped with a safety interlocking system. The base is composed of 8 holes ensuring complete drainage. Base diameter 197 mm, surface area 305 cm².

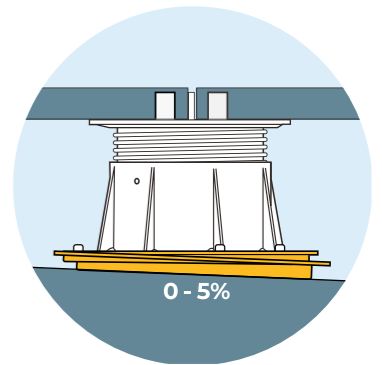
4 SLOPE CORRECTOR (0 TO 5%)

The U-PH5 slope corrector is placed under the base of the pedestal guaranteeing that the pedestal remains vertical and well balanced even at the highest range. It can compensate for slopes between 0-5% in 0.5% intervals.



Slope corrector U-PH5

The U-PH5 slope corrector is an adjustable unit which is placed under the base of the PB pedestal. It creates slopes of 0-5% in 0.5% intervals meaning a horizontal or inclined terrace can be easily installed.



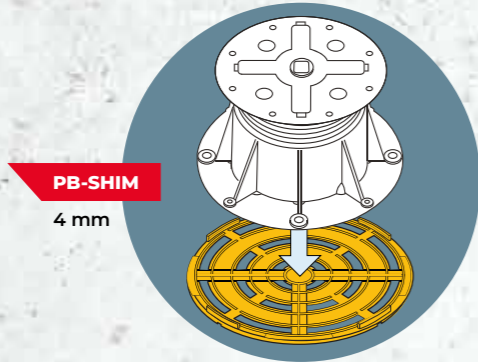
NEW



Pedestals with the possibility to attach U-PH5 slope corrector on the base (PB-00 > PB-11)



With the U-PH5 slope corrector, the additional height is 14 mm.



+4 mm

The total height of the pedestal can be increased by 4 mm (and stacked up to 4 high) perfect for minor height adjustment on site.



Fixed Adjustable



PB-C1 & PB-C2

The PB couplers are fitted by screwing between the base and the head of the pedestal to make the taller pedestals in the PB range. With the addition of the single and double coupler pedestals can reach a height of 955 mm.



PB-C1
H: +85 mm
to +120 mm

PB-C2
H: +195 mm
to 235 mm

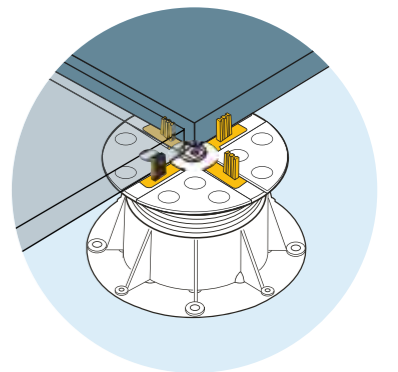
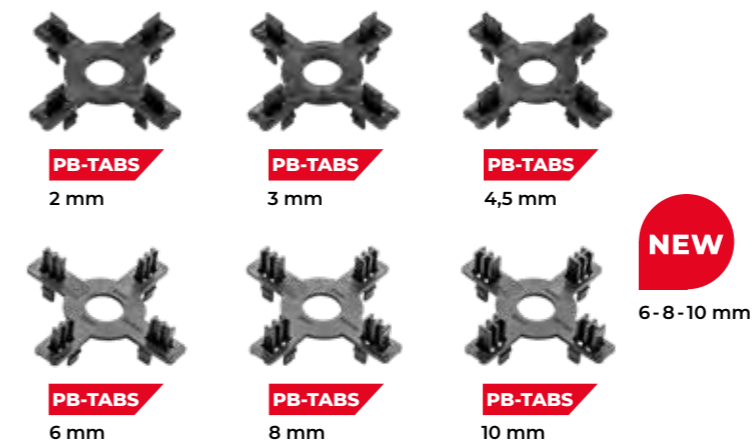


U-PAD

BSW
BSW Regupol:
Acoustic Insulation up to 37 dB.

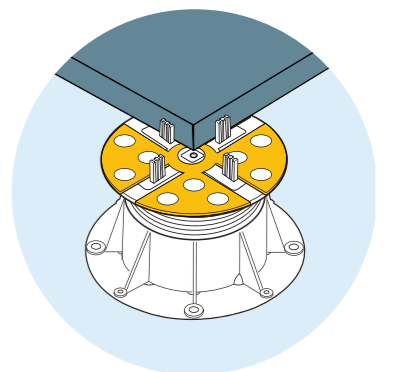
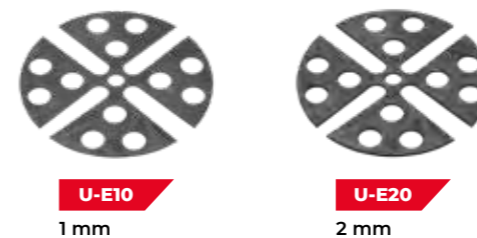
Spacer tabs

Spacer tabs are available in various thicknesses : 2 mm, 3 mm, 4.5 mm, 6 mm, 8mm and 10mm, and provide uniform alignment of the pavers, placed on top of the Buzon® pedestal. All tabs are 17 mm high.



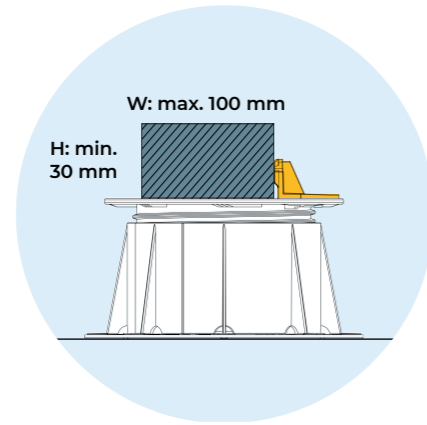
Shims

The shim (U-E10 or U-E20) is a 1 or 2 mm maltase-cross shaped leveller. It stabilises the paver, provides additional acoustic comfort, and compensates for variations in paver thickness.



PB-KIT-5

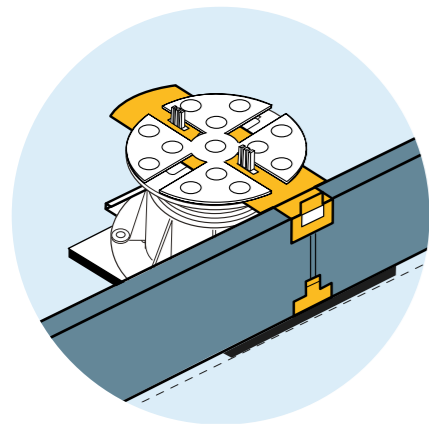
The PB-KIT-5 support for joists is fixed in using our plug-in system onto the head of the Buzon® PB pedestal. They firmly hold the joist supporting the deck boards in place.



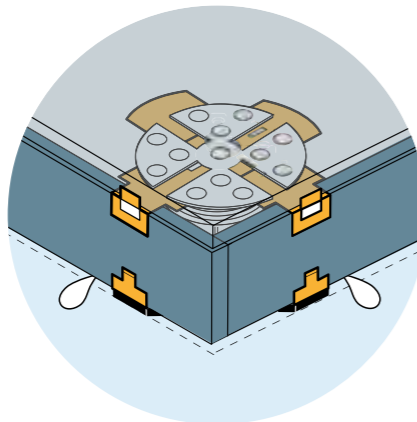
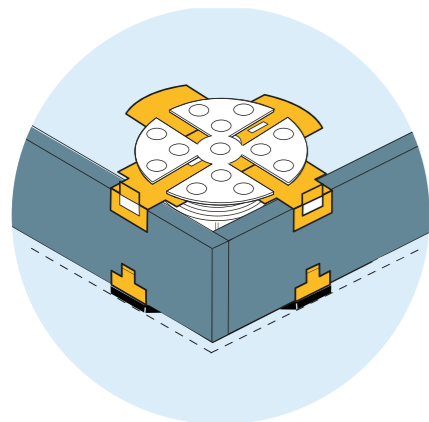
PB-KIT-5

PB-END Finishing Kit

The PB-END finishing kit supports the perimeter tiles to conceal the space created beneath the deck installed on pedestals from the PB range. Two brackets situated on the head and base of the pedestal hold the vertical 20mm thick tile cuts in place to give a solid and seamless finish.



LATERAL SIDE



CORNER



PB-END



- **ALLOWS FOR COMPLETE DRAINAGE**
- **QUICK AND EASY INSTALLATION**
- **HIGH STABILITY THANKS TO A LARGE PEDESTAL HEAD**
- **EASY AND PRECISE SLOPE CORRECTION UP TO 5%**
- **DOES NOT HARM WATERPROOF MEMBRANE**
- **EASY ACCESS TO WATERPROOFING MEMBRANE**
- **BETTER THERMAL AND SOUND INSULATION**
- **PROVIDES A SUSTAINABLE SOLUTION**
- **SUPPORTS LARGE LOADS**
- **ABILITY TO CONCEAL SERVICES SUCH AS ELECTRICAL, PLUMBING ETC.**

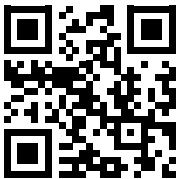
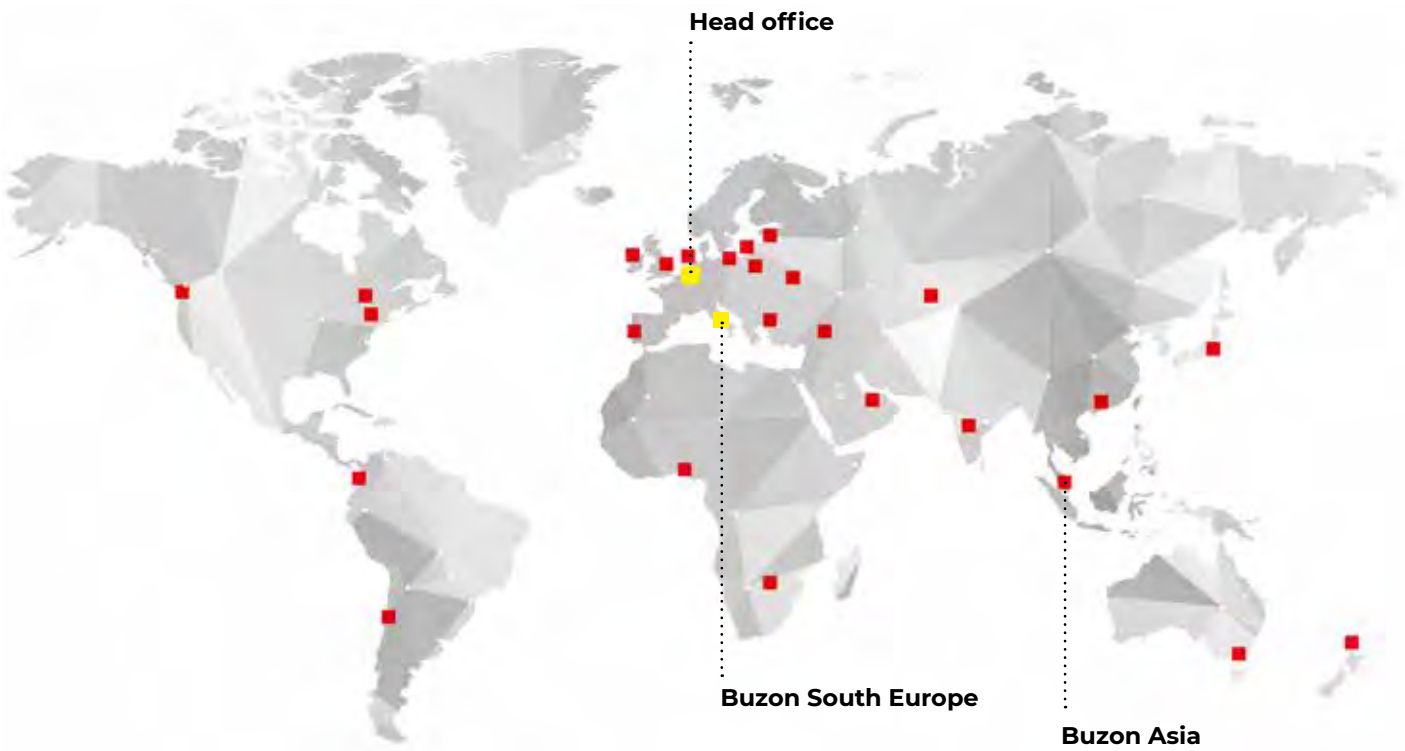
Advantages of the pedestals



- 01 CERAMIC TILES**
Apartement Dune-Mielno / Poland
- 02 WOOD DECKING**
Jeltikovo Terrace / Poland
- 03 CERAMIC TILES**
Torre Glorieta-Mexico City / Mexico
- 04 WOOD DECKING**
Miami Terrace / USA
- 05 COMPOSITE DECKING**
Beemster Condo / Netherlands

Range of applications

Our partners around the world



043-055-1351
Fabriqué à partir
de min. 50%
de contenu recyclé



Buzon®

Jolani Distribution Inc.
8151, Boul.montreal-Toronto, Suite 102
Montreal-Ouest, Quebec H4X 1N1
Tel. : +514-381-0098
E-mail : info@buzoncanada.ca

