



Buzon®

JOLANI DISTRIBUTION INC



www.buzoncanada.ca

U-BRS

The **BUZON** rail system

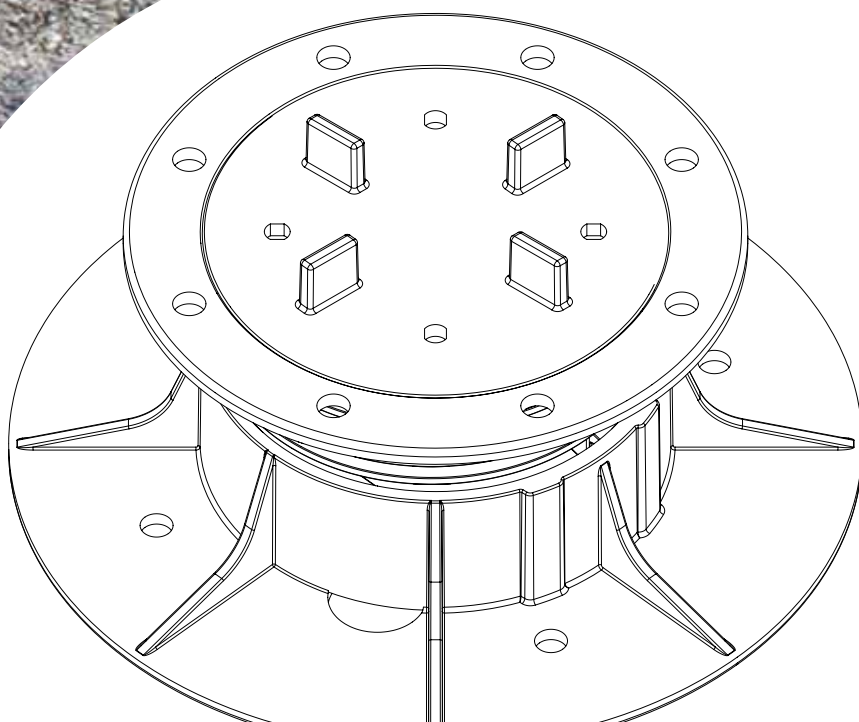




THE DEFINITIVE SOLUTION FOR EXTERNAL FLOORING

The new U-BRS flooring installation system for external raised terraces offers simple installation; you can furnish your external environment and cover areas in complete safety.

A lasting solution with great aesthetic appeal, it also allows for inspection under the terracing and provides a convenient passage-way for services and piping.



U-BRS

A fusion of benefits



WHY
CHOOSE
U-BRS



01 Fast
installation

02 Possibility of laying
offset and multi-shaped
flooring

03 Stability
of the
terracing

04 More economical
than laying raised
30x120cm and
40x120cm

Both practical and functional, the U-BRS system offers a complete structure for raised terraces in your outdoor space.

The system has polypropylene supports that are adjustable in height, reinforced aluminium profiles and spacers that set a 3mm gap between flooring sheets.

To complete the system, accessories are available that can satisfy the requirements of any application.



A NEW
WAY TO LIVE
OUTDOORS



U-BRS system parts



SUPPORTS

Items supplied ready-screwed



PB-00

15 mm



PB-01

28 to 42 mm



PB-1

42 to 60 mm



PB-2

60 to 90 mm



PB-3

90 to 145 mm



PB-4

145 to 245 mm

Items supplied for assembly and screwing



PB-5

230 to 315 mm



PB-6

285 to 367 mm



PB-7

365 to 485 mm



PB-8

452 to 605 mm



PB-9

537 to 725 mm



PB-10


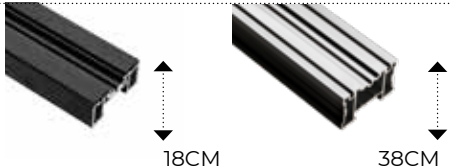





620 to 845 mm



PB-11

705 to 965 mm

COMPONENTS

1. PROFILE FIXING CLIP		
PB-KIT-2	Clip for fixing to profiles	
2. ALUMINIUM TUBING 2400X65mm		
U-BRS - 18mm	18mm high model	
U-BRS - 38mm	Modello con altezza 38mm	
3. EPDM RUBBER PROTECTIVE STRIP		
U-BRS-EPDM-2MM	Rubber protective strip L.2400x20mmx2mm thickness (2 pieces per tubular housing)	
4. SEPARATION CROSS FOR FLOORING SHEETS		
U-BRS-TABS-3MM-H17	For locking from above	
5. END STOP		
U-BRS-STOP	Part used for holding sheet	
6. STAINLESS STEEL PARTS FOR LATERAL SUPPORT (FOR USE WITH L FITTING)		
U-BRS-END-T	Top part	
U-BRS-END-B	Bottom part	
7. L FITTING		
U-CONNECTOR	For connecting tubing to step or L	

Parts of the U-BRS

ACCESSORIES

8. SLOPE ADJUSTER

BC-PH5 Adjuster / creator of slope up to 5%



9. SHIM

PB-SHIMS-4MM 4mm polypropylene shim



10. BUZON SPIRIT LEVEL

U-KIT-SL-80 Shows degree and direction of slope

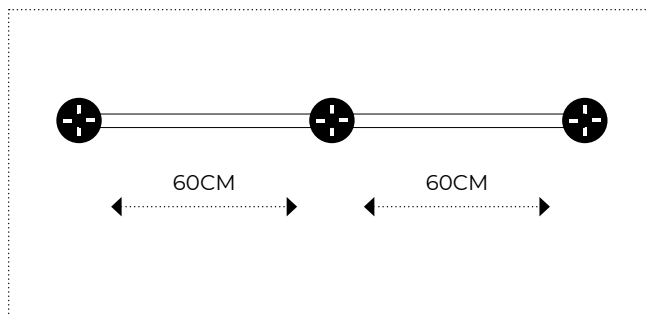


11. ADJUSTER KEY

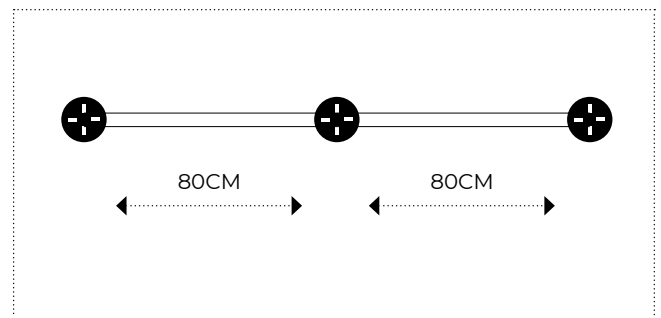
U-KEY Key for adjusting height of supports



U-BRS 18 SYSTEM

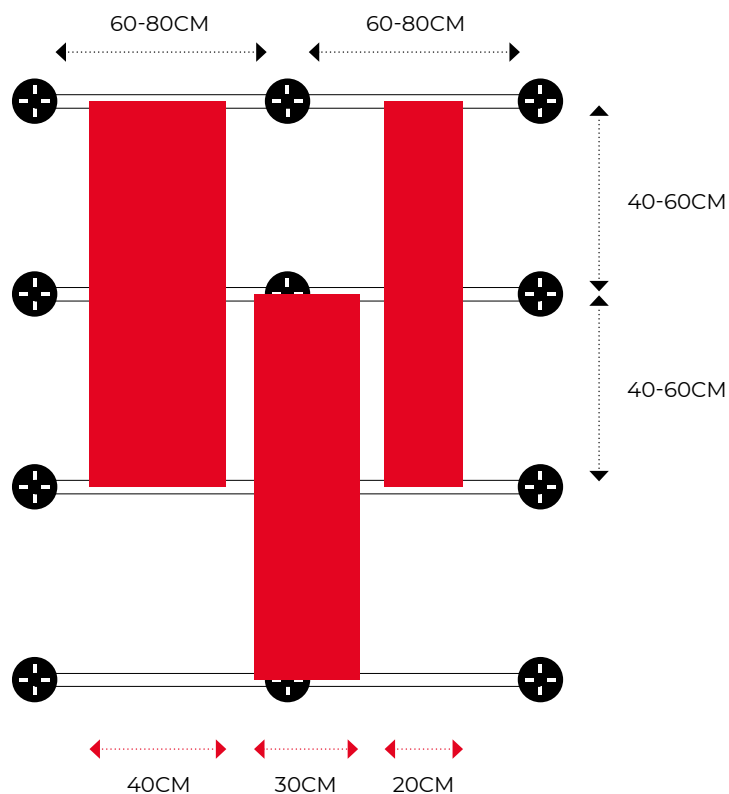


U-BRS 38 SYSTEM



WITH FLOORING

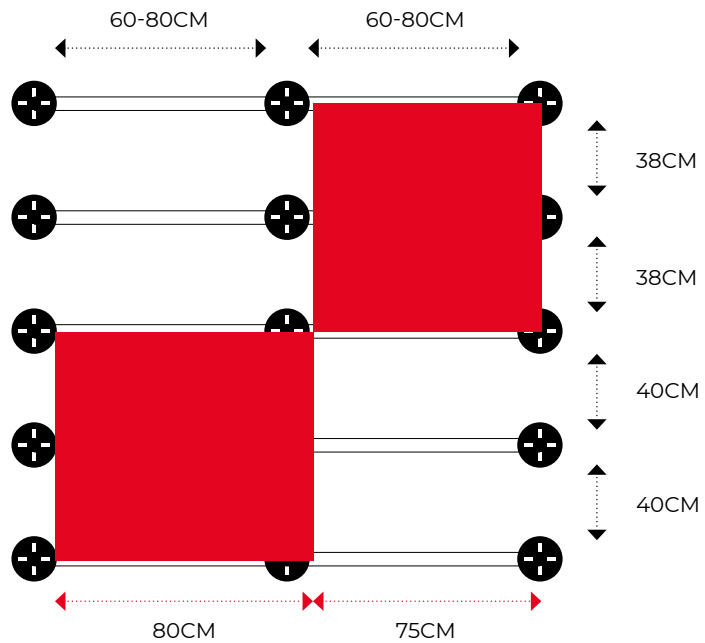
20x120cm - 30x120cm and 40x120cm



Examples of applications

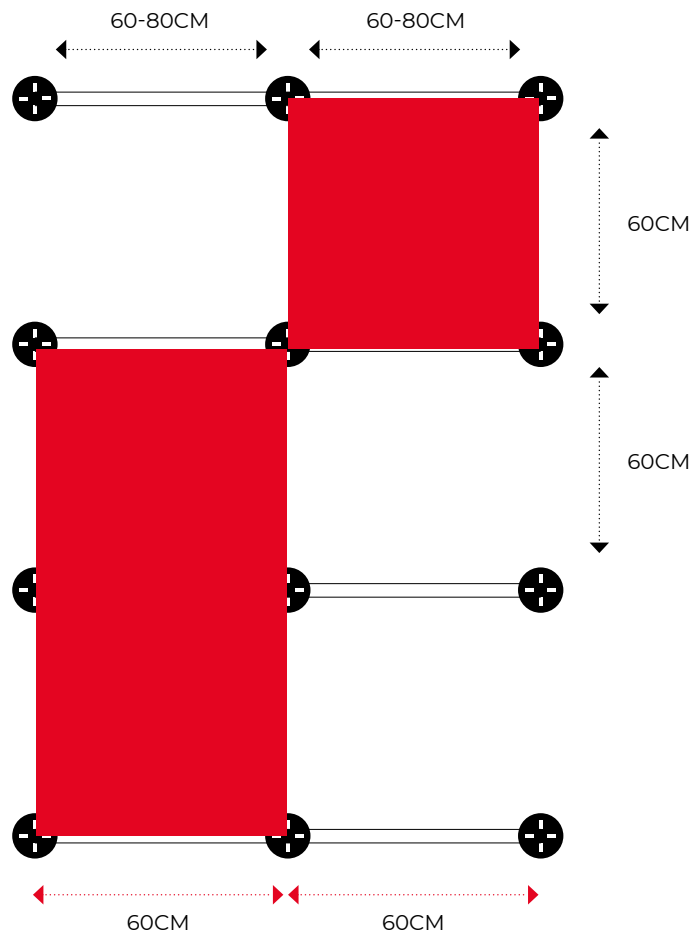
WITH FLOORING

75x75cm and 80x80cm



WITH FLOORING

60x60cm and 60x120cm



FLOORING 40 cm between centres

	Floor dimensions				
Surface area (m2)	10	50	100	500	1000
Dimensions (m)	2x5	10x5	20x5	20x25	20x50
	Linear metres m2				
Joist U-BRS-38 / U-BRS-18mm	2.88	2.59	2.54	2.54	2.5
U-BRS-EPDM-2mm	5.76	5.18	5.08	5.08	5
U-BRS-STOP	1.20	0.54	0.53	0.13	0.13
U-BRS-VIS	1.20	0.54	0.53	0.13	0.13
No of supports per m2 (for all 60cm)	6.00	4.86	4.50	4.36	4.29
No of supports per m2 (for all 80cm)	4.80	4.06	3.97	3.37	3.32

FLOORING 60cm between centres

	Floor dimensions				
Surface area (m2)	10	50	100	500	1000
Dimensions (m)	2x5	10x5	20x5	20x25	20x50
	Linear metres m2				
Joist U-BRS-38 / U-BRS-18mm	1.92	1.82	1.73	1.73	1.68
U-BRS-EPDM-2mm	3.84	3.64	3.46	3.46	3.36
U-BRS-STOP	0.80	0.38	0.36	0.09	0.09
U-BRS-VIS	0.80	0.38	0.36	0.09	0.09
No of supports per m2 (for all 60cm)	4.00	3.42	3.24	2.97	2.90
No of supports per m2 (for all 80cm)	3.20	2.84	2.70	2.30	2.24



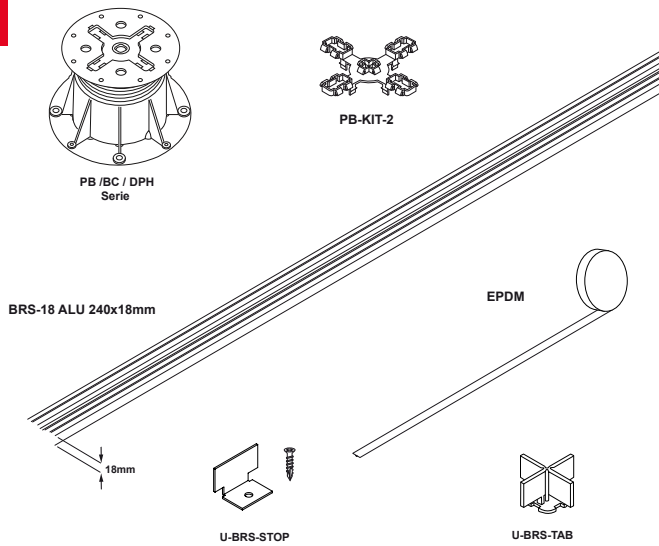


**LESS
TIME
BETTER
OUTCOME**

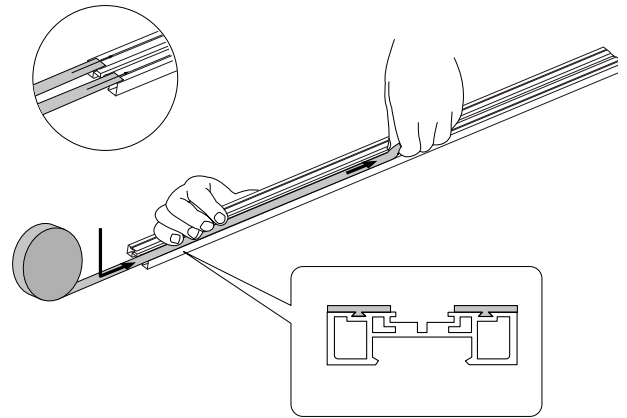


Installation instructions and advice

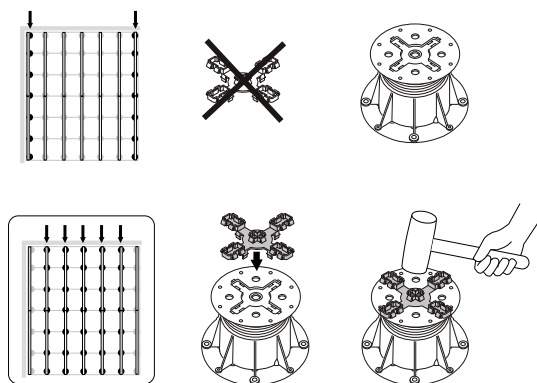
1.



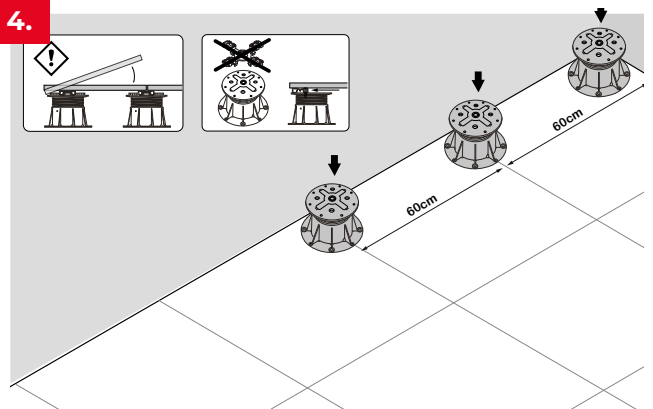
2.

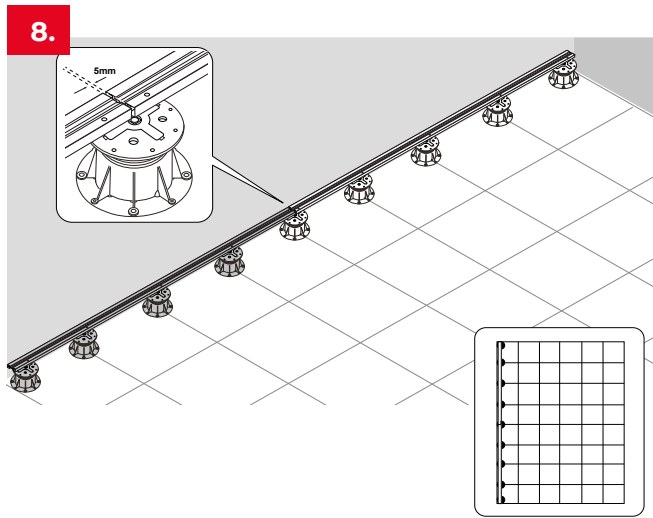
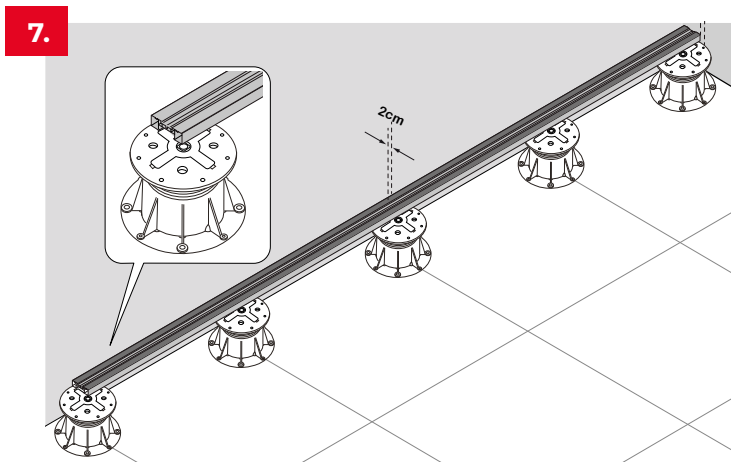
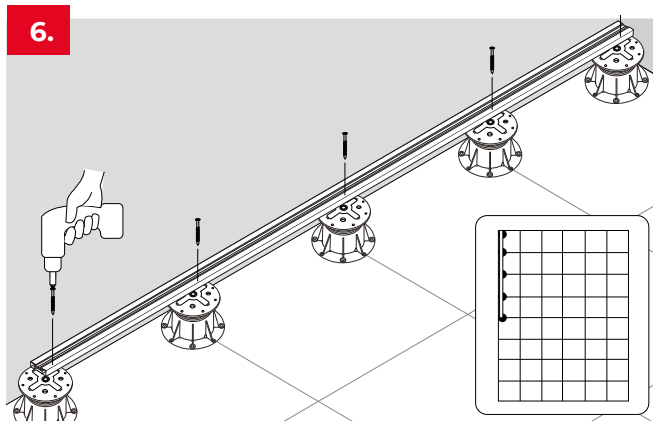
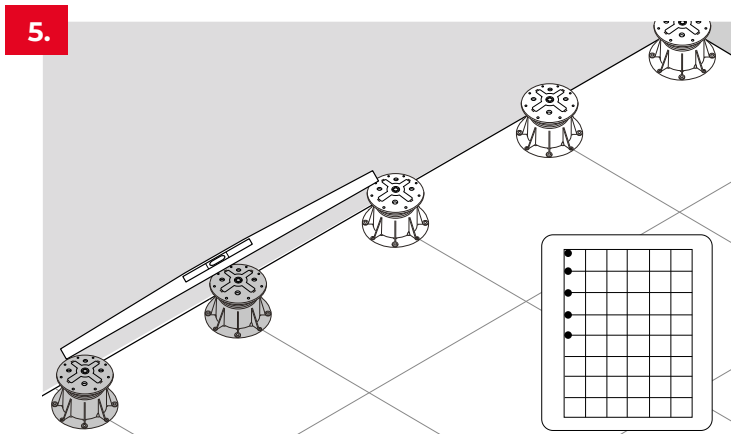


3.



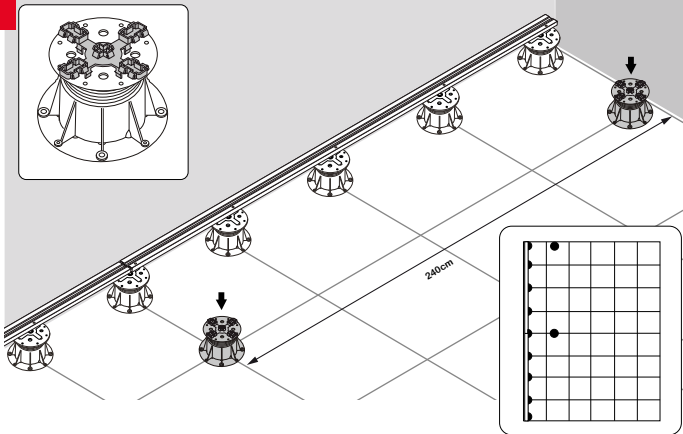
4.



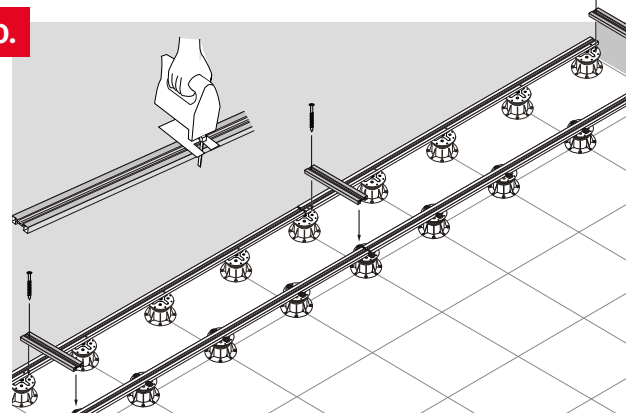


Installation instructions and advice

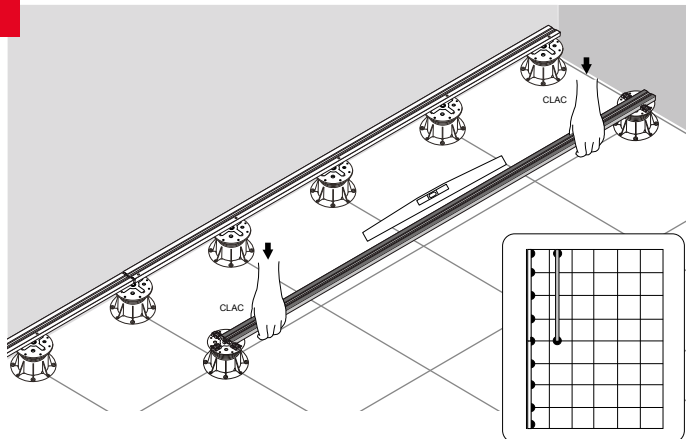
9.



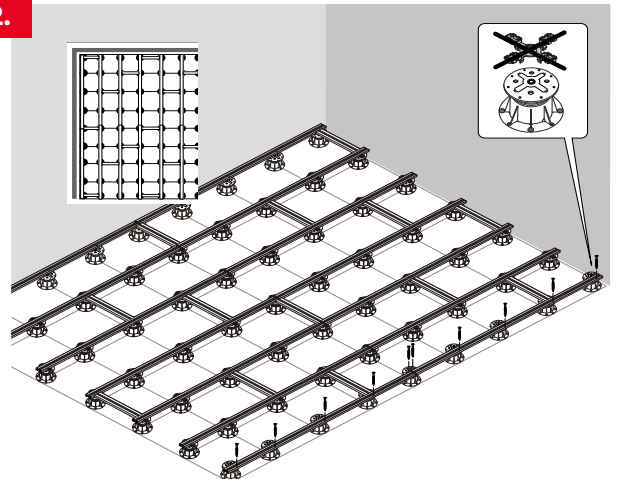
10.



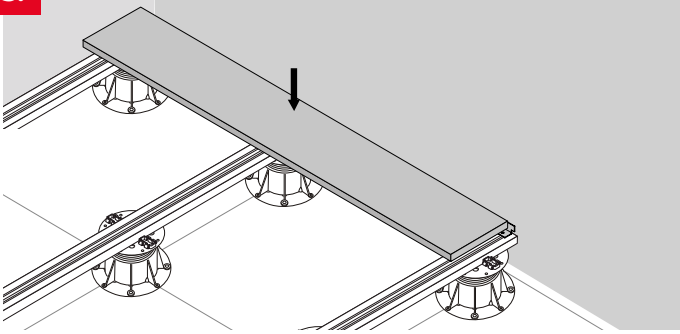
11.



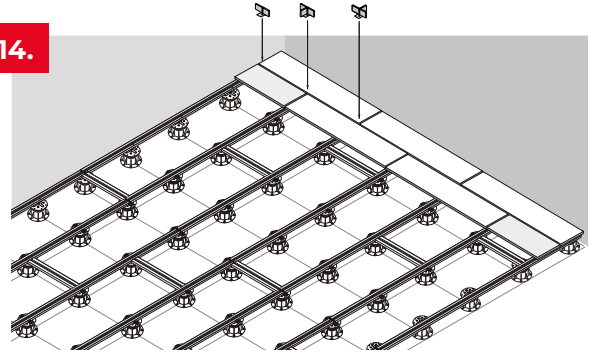
12.



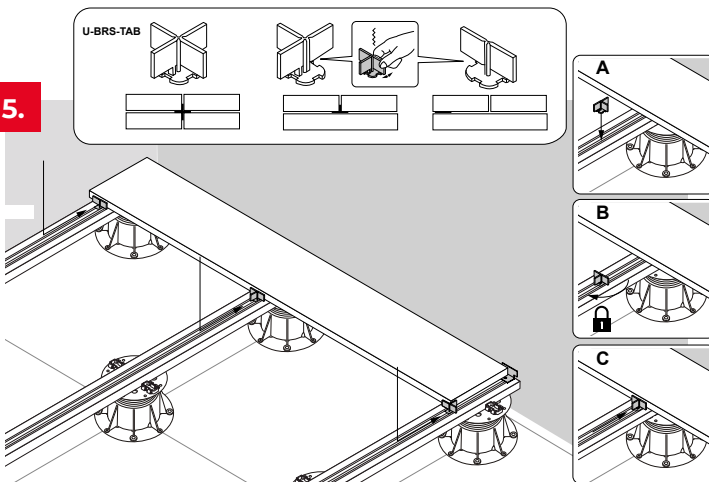
13.



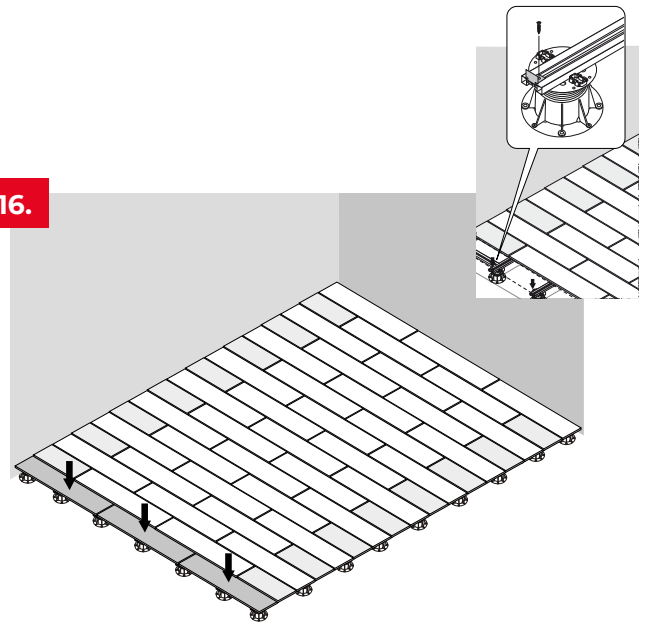
14.



15.

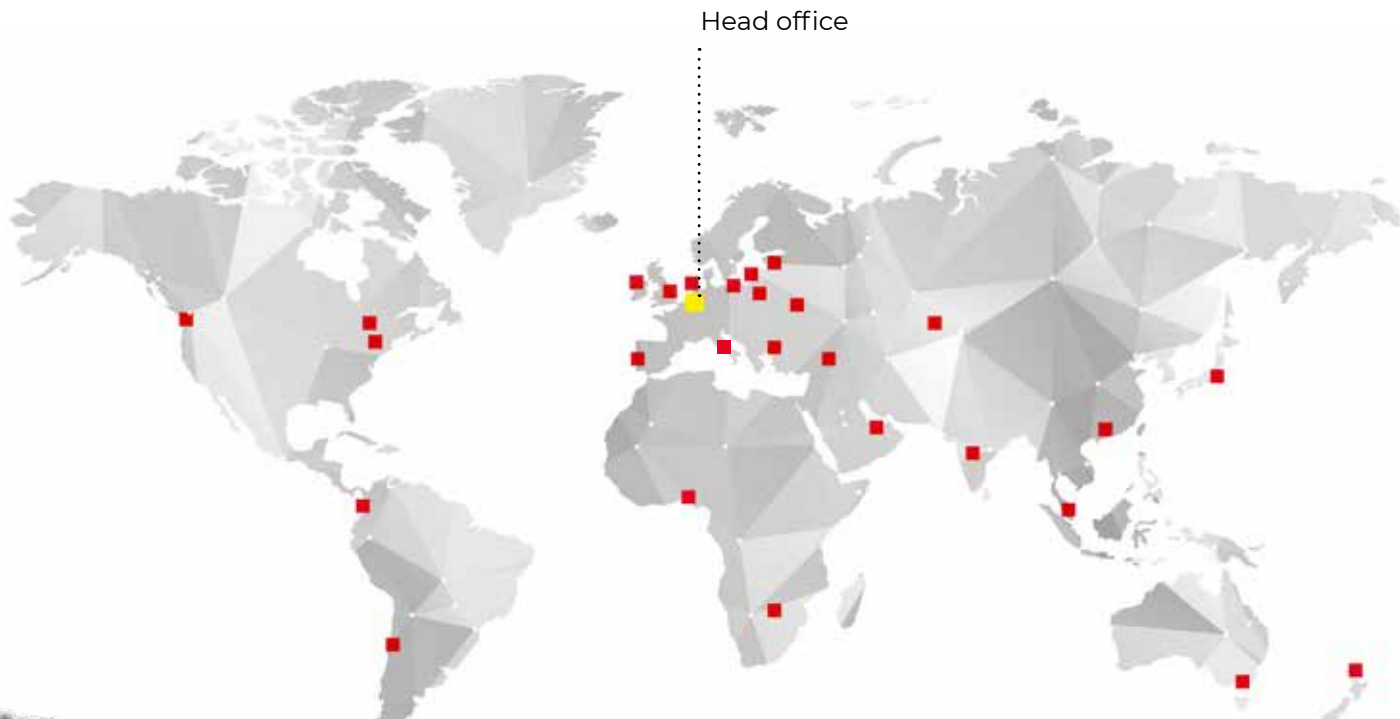


16.





OUR PARTNERS AROUND THE WORLD



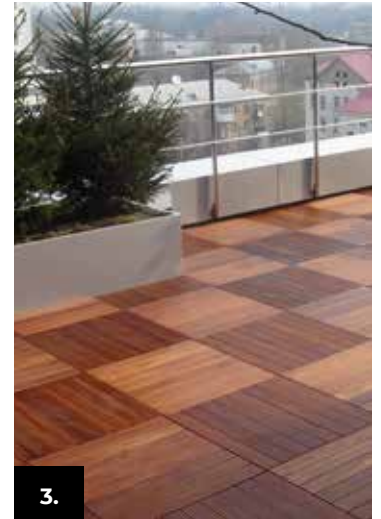


1.

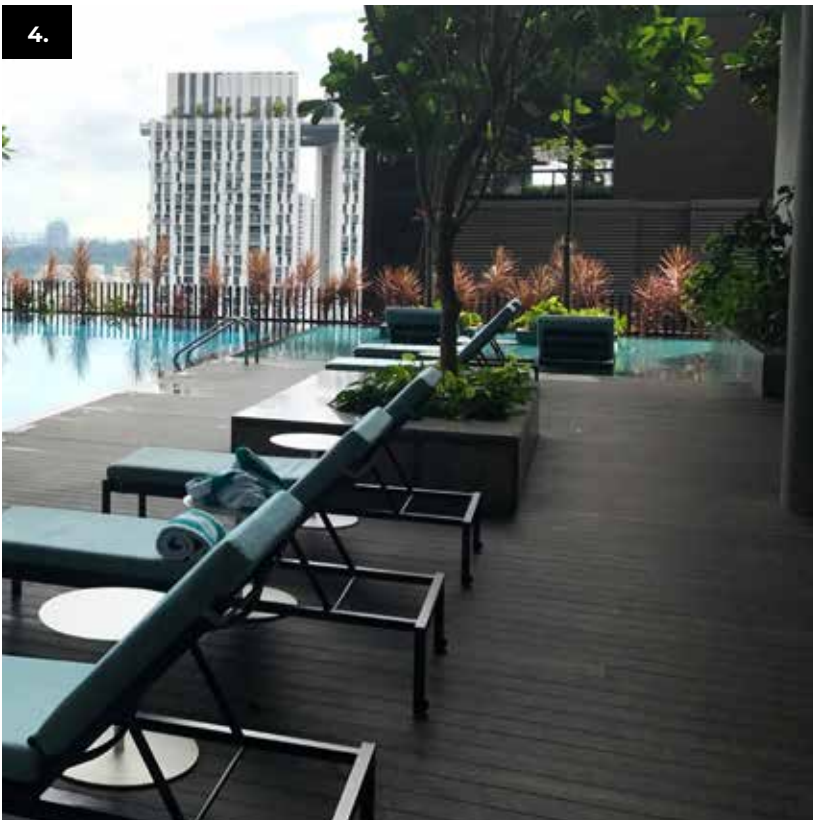
- 1. Private residence
- 2. HK-JBP - Quarry Bay
- 3. INKOM - Business Center
- 4. Oasia Hotel
- 5. Ginza Six



2.



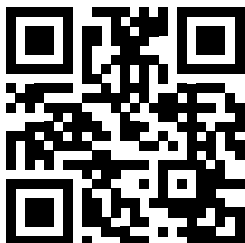
3.



4.



5.



Buzon®

Jolani Distribution INC
8151, Boul. Montreal-
Toronto, Suite 102,
Montreal-Ouest, Qc
H4X 1N1

Tel.: 514-381-0098
info@buzoncanada.ca
www.buzoncanada.ca

