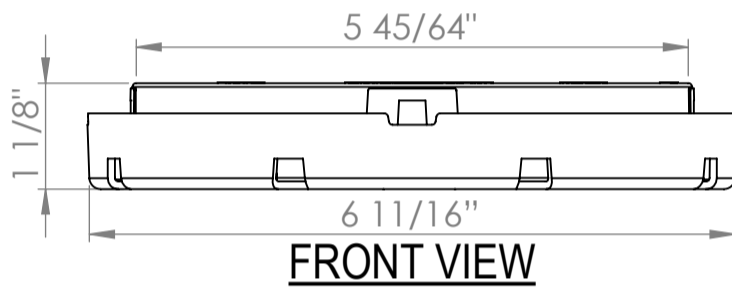




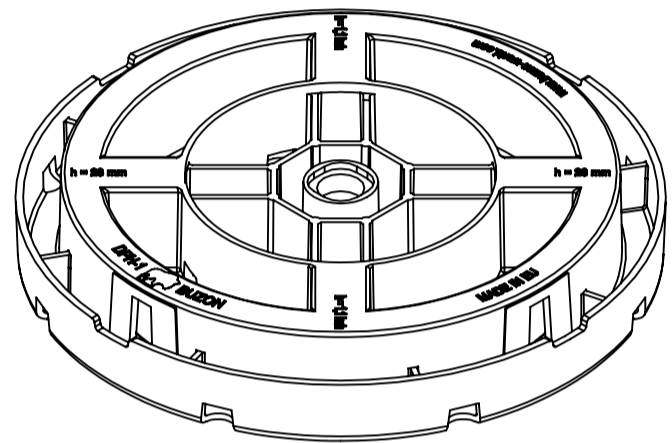
BUZON PEDESTAL INTERNATIONAL
PROLONGEMENT DE L'ABBAYE 134
HERSTAL, BELGIUM B-4040
PHONE: +32-4-248 39 83
FAX: +32-4-246 82 38
www.buzon-world.com

Scale :1:2

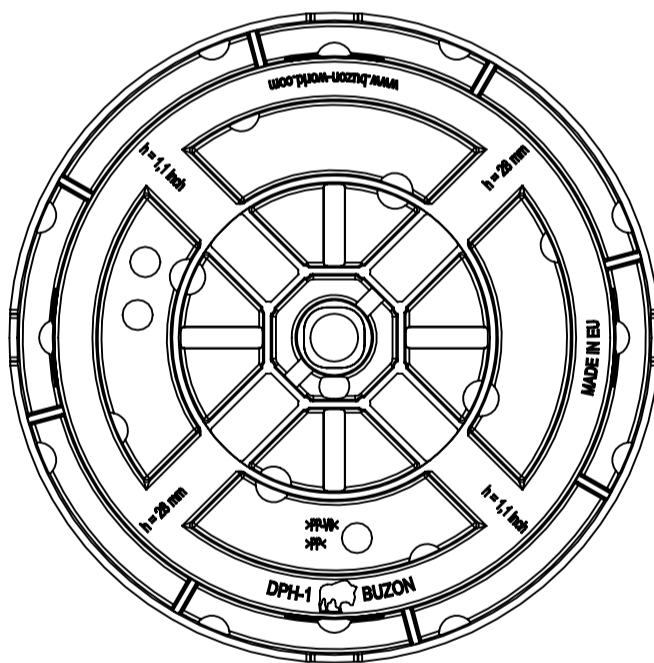
DPH-1--1 1/8 inch



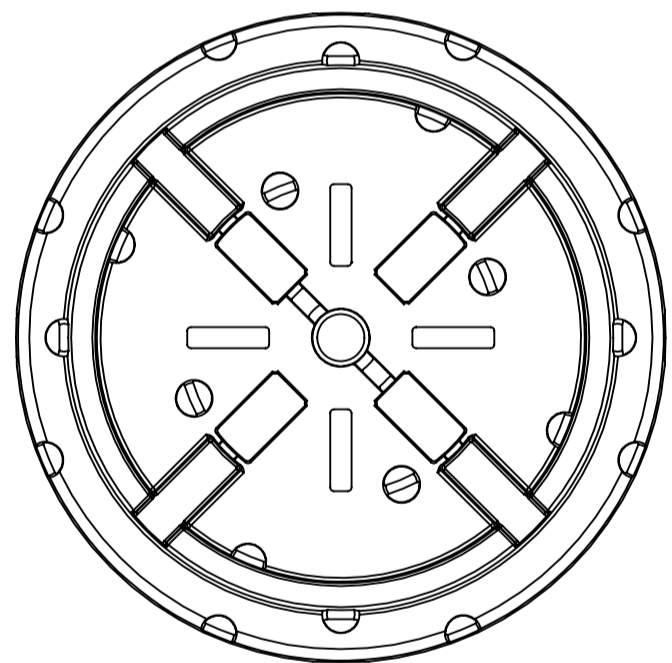
FRONT VIEW



ISOMETRIC VIEW



TOP VIEW



BOTTOM VIEW

SPECIFICATION:

HEIGHT: FIX 1 1/8", WITH ADDITION OF A 0 TO 5% DPH-PH5 SLOPE CORRECTOR 1 29/64".

COMPOSITION: THE DPH-1 IS COMPOSED OF 1 PIECE.

DIMENSIONS: HEAD = DIAMETER 5 45/64", INSTALLATION SURFACE 25,575 IN².

BASE = DIAMETER 6 11/16", GROUND SURFACE 35,185 IN².

FULL WATER DRAINAGE SYSTEM.

MANUFACTURE: INJECTION MOULDING, >PP<, TOLERANCE MEASUREMENT = ± 3/64".

TECHNICAL INFORMATION: REFERRING TO TECHNICAL DATA SHEET.

NOTES:

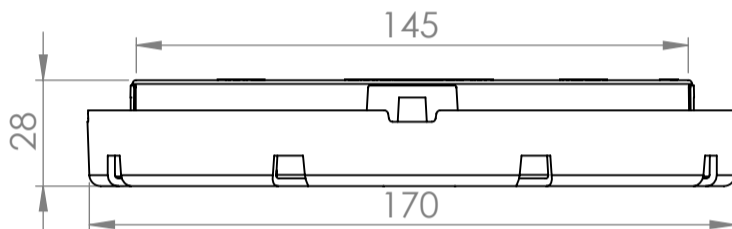
1. INSTALLATION TO BE COMPLETED IN ACCORDANCE WITH MANUFACTURER'S SPECIFICATIONS.
2. SCALE DRAWING.
3. THIS DRAWING IS INTENDED FOR USE BY ARCHITECTS, ENGINEERS, CONTRACTORS, CONSULTANTS AND DESIGN PROFESSIONALS FOR PLANNING PURPOSES ONLY. THIS DRAWING MAY NOT BE USED FOR CONSTRUCTION.
4. ALL INFORMATION CONTAINED HEREIN WAS CURRENT AT THE TIME OF DEVELOPMENT, BUT MUST BE REVIEWED AND APPROVED BY THE PRODUCT MANUFACTURER TO BE CONSIDERED ACCURATE.



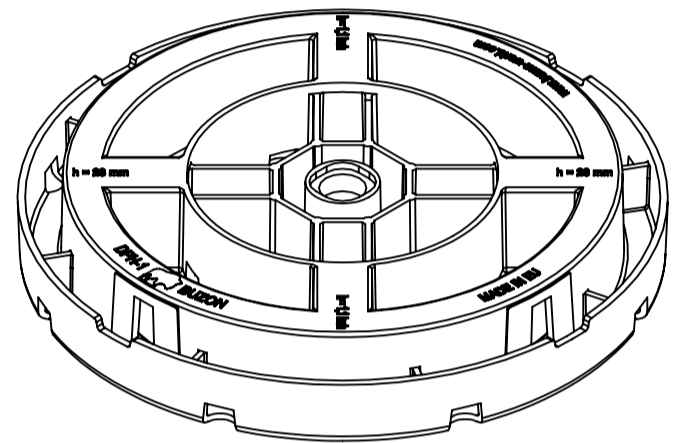
BUZON PEDESTAL INTERNATIONAL
PROLONGEMENT DE L'ABBAYE 134
HERSTAL, BELGIUM B-4040
PHONE: +32-4-248 39 83
FAX: +32-4-246 82 38
www.buzon-world.com

Scale :1:2

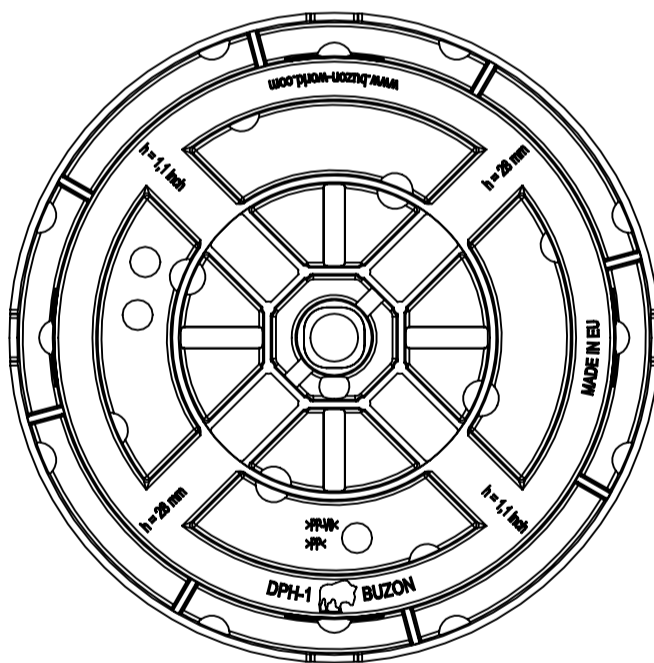
DPH-1--28mm



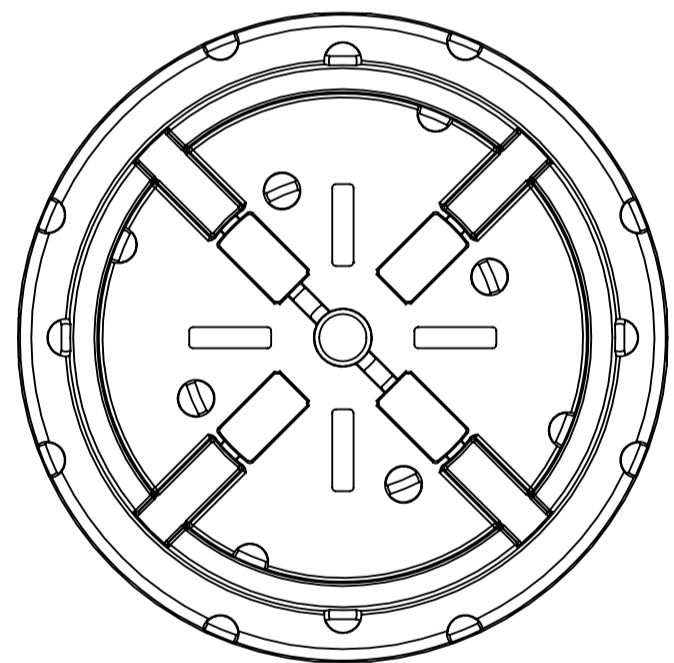
FRONT VIEW



ISOMETRIC VIEW



TOP VIEW



BOTTOM VIEW

SPECIFICATION:

HEIGHT: FIX 28 MM, WITH ADDITION OF A 0 TO 5% DPH-PH5 SLOPE CORRECTOR 37 MM.

COMPOSITION: THE DPH-1 IS COMPOSED OF 1 PIECE.

DIMENSIONS: HEAD = DIAMETER 145 MM, INSTALLATION SURFACE 165 CM².

BASE = DIAMETER 170 MM, GROUND SURFACE 227 CM².

FULL WATER DRAINAGE SYSTEM.

MANUFACTURE: INJECTION MOULDING, >PP<, TOLERANCE MEASUREMENT = ± 1MM.

TECHNICAL INFORMATION: REFERRING TO TECHNICAL DATA SHEET.

NOTES:

1. INSTALLATION TO BE COMPLETED IN ACCORDANCE WITH MANUFACTURER'S SPECIFICATIONS.
2. SCALE DRAWING.
3. THIS DRAWING IS INTENDED FOR USE BY ARCHITECTS, ENGINEERS, CONTRACTORS, CONSULTANTS AND DESIGN PROFESSIONALS FOR PLANNING PURPOSES ONLY. THIS DRAWING MAY NOT BE USED FOR CONSTRUCTION.
4. ALL INFORMATION CONTAINED HEREIN WAS CURRENT AT THE TIME OF DEVELOPMENT, BUT MUST BE REVIEWED AND APPROVED BY THE PRODUCT MANUFACTURER TO BE CONSIDERED ACCURATE.