



BUZON PEDESTAL INTERNATIONAL

4ème Avenue, 25

B-4040 Herstal - Belgium

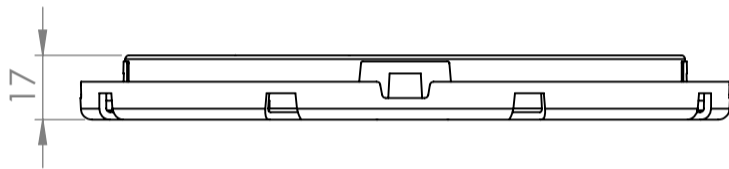
T.: +32 (0)4 248 39 83

F.: +32 (0)4 264 82 38

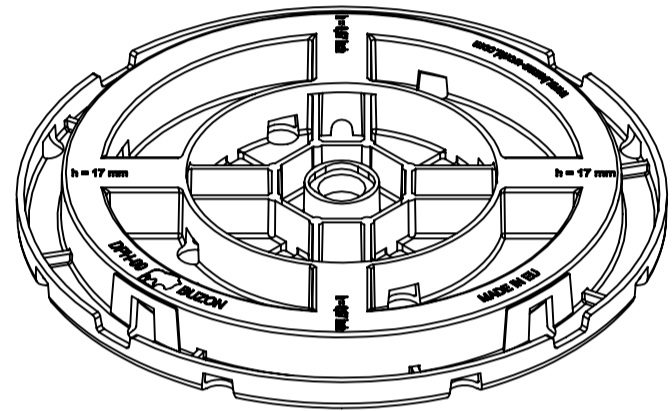
www.buzon-world.com

SCALE 1:2

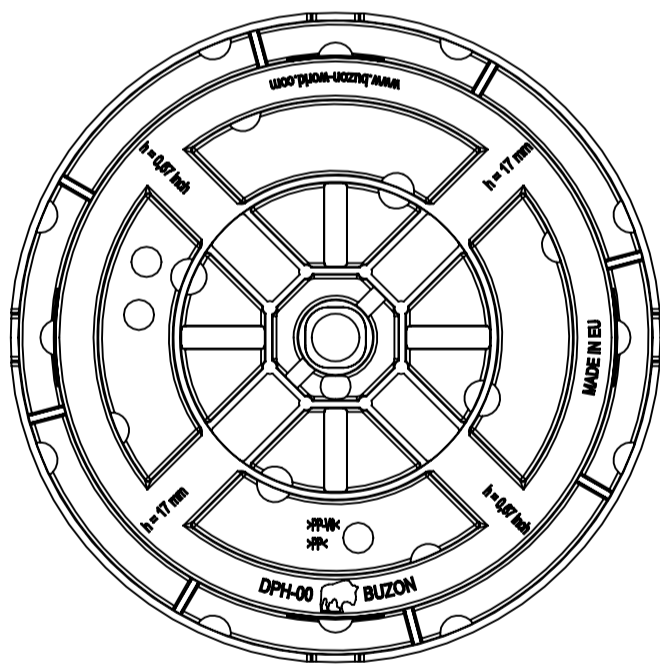
# DPH-F17



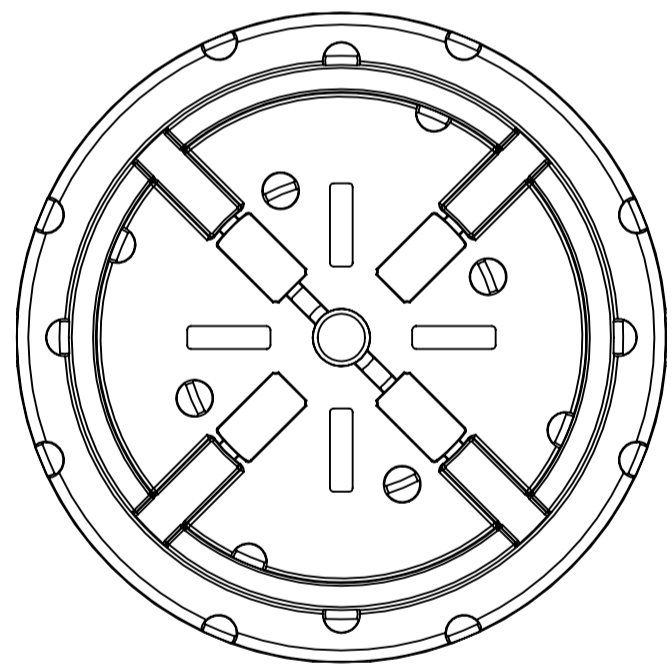
FRONT VIEW



ISOMETRIC VIEW



TOP VIEW



BOTTOM VIEW

**NOTES:**

1. TECHNICAL INFORMATION REFERRING TO TECHNICAL DATA SHEET.
2. INSTALLATION TO BE COMPLETED IN ACCORDANCE WITH MANUFACTURER'S SPECIFICATIONS.
3. SCALE DRAWING.
4. THIS DRAWING IS INTENDED FOR USE BY ARCHITECTS, ENGINEERS, CONTRACTORS, CONSULTANTS AND DESIGN PROFESSIONALS FOR PLANNING PURPOSES ONLY. THIS DRAWING MAY NOT BE USED FOR CONSTRUCTION.
5. ALL INFORMATION CONTAINED HEREIN WAS CURRENT AT THE TIME OF DEVELOPMENT, BUT MUST BE REVIEWED AND APPROVED BY THE PRODUCT MANUFACTURER TO BE CONSIDERED ACCURATE.