



Technical Data Sheet-BC

BC-4 Adjustable from 85 to 140 mm

COMPONENTS

BC-4 is composed of 2 pieces:
BC-Top + BC-Base

CHARACTERISTICS

Top: \varnothing 145 mm, 165 cm²

Base: \varnothing 200 mm, 314 cm²

Weight: 0,450 kg

Height adjustable from 85 to 140 mm

With addition of BC-PH5 slope corrector, the BC-4 is adjustable in height from 97 to 152 mm and slope from 0 to 5%.

MATERIAL

Copolymer polypropylene (CPP)

Composition: +/- 80% first grade pre-selected recycled PPC, and +/- 20% Talc + Masterbatch black

Designed and manufactured in Europe

Use of recycled materials exclusively of EU origin

Resistant to weathering, sea salts, algae and a wide range of chemicals

Temperature range: -30 °C to + 80 °C

PACKAGING

Pieces per carton: 42 pcs

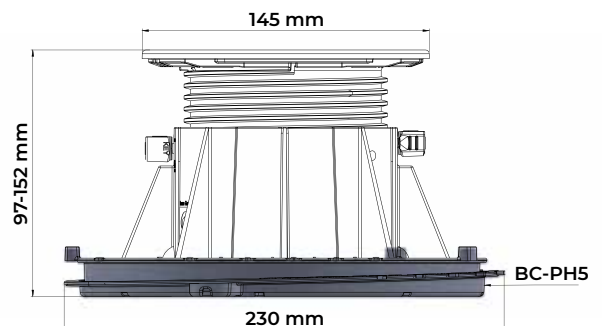
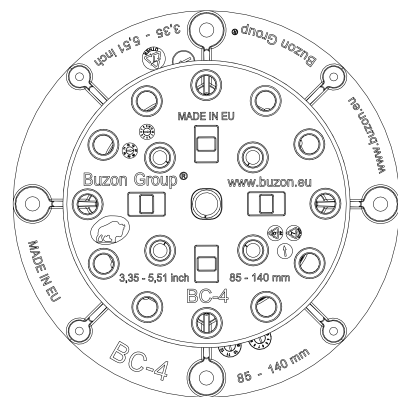
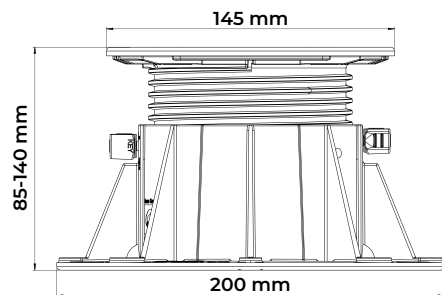
Carton weight: 20,22 kg

Carton dimension: 600 x 400 x 600 mm

Cartons per pallet: 15 pcs

Pieces per pallet: 630 pcs

Pallet dimensions: 100 x 120 x 220 cm



APPLICATIONS

Buzon pedestals can be used for a wide range of outdoor applications, such as terraces, pool decks and water features, in landscape areas and on rooftops...
Finishing materials can be freely specified by the designer.

Accessories are available for applications with various outdoor finishes, such as granite stone pavers, composite/ timber decking, ceramic tiles and fibreglass or metal grating panels. Buzon pedestals can be installed on a wide range of solid and stable substrates, such as concrete slabs, cement screeds, waterproof membranes, insulation panels.

Rectangular Tabs



Height: 17 mm
Thickness: 2, 3, 4.5, 6 and 8mm



Height: 25 mm
Thickness: 2, 4.5, 6, 8 and 10mm

Circular Tabs



Height: 17 mm
Thickness: 2, 3, 4.5, 6 and 8mm



Height: 25 mm
Thickness: 2, 4.5, 6, 8 and 10mm

Batten Holder



Shims



U-E10 (T- 1MM)
U-E20 (T- 2MM)

COMPRESSION TEST*

Performed on the full (1/1), half (1/2) and quarter (1/4) surface of the head (1kN= 100 kg= 224,8 lbf)

Position	Height (mm)	Breaking load (kN)	Breaking load (lbf)
1/1	140	15 (1500 kg)	3 372
1/2	140	11,6 (1160 kg)	2 607
1/4	140	6,6 (660 kg)	1 483

* Tests carried out by SIRRIS

SAFETY INSTRUCTIONS

Buzon pedestals are designed to support external raised floors for pedestrian traffic only and are not designed to support or be subjected to moving and/or vibrating machinery & equipment, including maintenance, cleaning vehicles, automobiles and other similar equipment.



Buzon has a policy of continuous improvement and reserves the right to modify, revise or change the above specifications without notice. This brochure is for descriptive purpose only and is based on the product as on the date of publication of this information.